

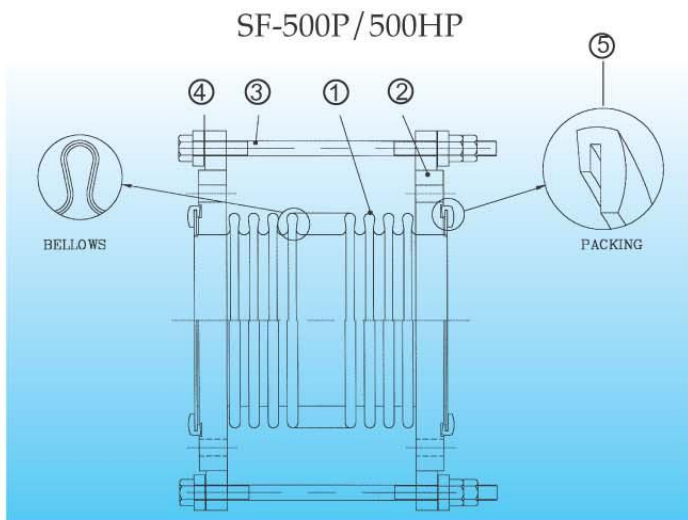
商佑不銹鋼防震接頭

STAINLESS STEEL FLEXIBLE JOINT

▲SF-500P 系列

◎ 說明

SF-500P型/SF-500HP型為免焊型防震接頭，法蘭口上附有嵌入式O型環止漏墊片(橡膠NBR70)較傳統型防震管有安裝省時，降低成本，確保不漏水等特性，並且可有效改善噪音傳遞的優點，是所有客戶管類防震的最佳解決方案。



◎ INSTRUCTION

SF-500P model/ SF-500HP model are served as solderless shockproof joints, have leakproof packing in flange. To compare with the traditional type, it has the properties for short-time installation, cost-down, watertight ensure and advantage to improve noise forward effectively. It is the optimum solving program on shockproof for all piping.



◎ 構件 CONSTRUCTION

ITEM	PARTS	MATERIAL	REMARK
1	BELLOWS	SUS304	SUS316
2	FLANGES	FCD40	A105 / SUS304
3	TIE RODS	SS-41	SUS304
4	GASKET	RUBBER	
5	PACKING	NBR70	NBR90 / VITON

FLANGES TYPE : JIS , ANSI , BS , DIN

◎ SF-500P 系列性能規格表 SPECIFICATION

◎ 下述工作壓力以常溫25°C為基準

TYPE 型號	Nominal Bore 口徑		Total Length 總長度		Bellows		Max offset 最大振幅	Working Pressure 工作壓力	
	mm	Ins	mm	Ins	O.D. 外徑	Corr's No. 山數		PSI	Kg / cm ²
SF500P	50	2	150	6	70	20	15	150	10
SF500HP								300	20
SF500P	65	2-1/2	150	6	86	19	14	150	10
SF500HP								300	20
SF500P	80	3	150	6	101	18	12	150	10
SF500HP								300	20
SF500P	100	4	150	6	128	14	10	150	10
SF500HP								300	20
SF500P	125	5	150	6	157	12	8	150	10
SF500HP								300	20
SF500P	150	6	150	6	185	11	6	150	10
SF500HP								300	20
SF500P	200	8	200	8	243	15	8	150	10
SF500HP								300	20
SF500P	250	10	200	8	297	13	6	150	10
SF500HP								300	20
SF500P	300	12	200	8	348	12	5	150	10
SF500HP								300	20
SF500P	350	14	230	9	397	11	3	150	10
SF500HP								300	20

*口徑16" 以上規格另行提供。

* The specifications are more than caliber 16" to be provided separately.