

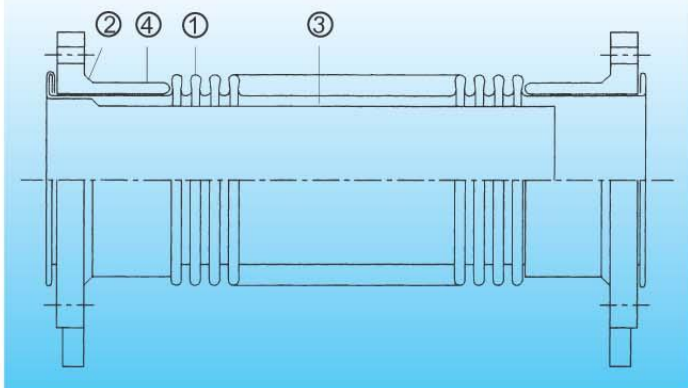
# 商佑不銹鋼伸縮接頭

## STAINLESS STEEL EXPANSION JOINT

### ▲SF-150 系列

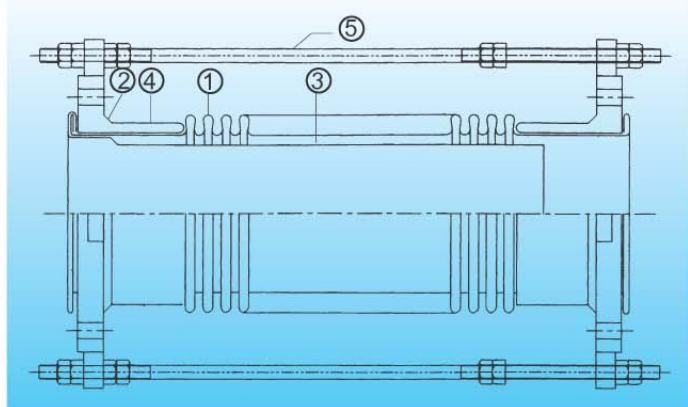
SF-150

有內筒 With internal sleeve.



SF-150 SG

有內筒及設限螺桿 With internal sleeve and Tie Rod.



SF-150



SF-150SG

### ◎ 應用

適用於一般管路之熱脹冷縮的位移補償。

### ◎ APPLICATION

Suitable for using displacement compensate of the general tube route to expand when hot and to shrink when cold in general tube route.

### ◎ 構件 CONSTRUCTION

ITEM	PARTS	MATERIAL	REMARK
1	BELLOWS	SUS304	SUS316
2	FLANGES	FCD40	A105 / SUS304
3	INTERNAL SLEEVE	SUS304	
4	TUBE	FCD40	
5	TIE RODS	SS-41	SUS304

FLANGES TYPE : JIS , ANSI , BS , DIN

### ◎ SF-150 系列性能規格表 SPECIFICATION ◎ 下述工作壓力以常溫25°C為基準

Nominal Bore 口徑		Total Length 總長度	Bellows		Axial Movement 伸縮量		Effective Area 流體面積	Working Pressure 工作壓力
mm	Ins		O.D. 外徑	Corr's No. 山數	mm			
40	1-1/2	300	60	32	+10	-40	22.2	10
50	2	300	78	24	+10	-40	34.5	10
65	2-1/2	300	92	20	+10	-40	52.5	10
80	3	300	108	20	+10	-40	71.2	10
100	4	300	132	16	+10	-40	110.5	10
125	5	300	163	15	+10	-40	168.7	10
150	6	300	190	14	+10	-40	233.9	10
200	8	300	243	13	+10	-40	389.1	10
250	10	300	295	12	+10	-40	592.2	10
300	12	300	345	12	+10	-40	829.7	10
350	14	300	398	11	+10	-40	1102	10

\* “+” Means : Extended “-” Means : Compressed

※口徑16" 以上規格另行提供。 ※ The specifications are more than caliber 16" to be provided separately.